



Original size



Corner radius R 1.25

Material

Glass: Tempered safety glass
reverse side printing
Duroplastic material

Protection level

IP 20/IP 21

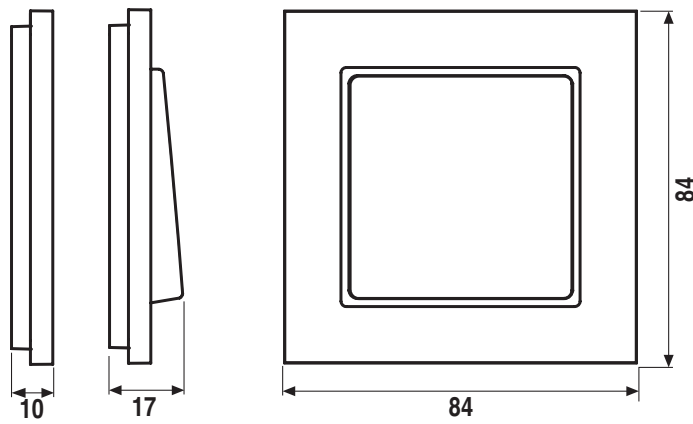
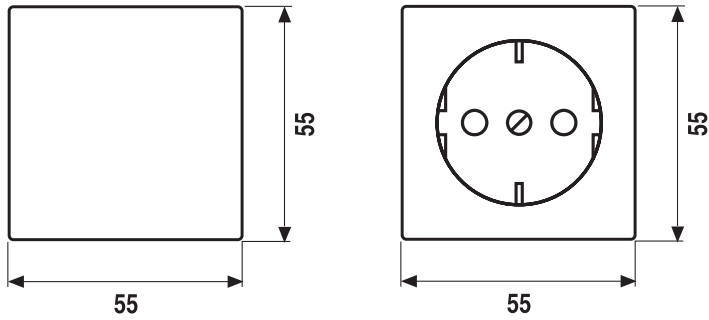
Ambient temperature

conventional devices: -15 °C ... +60 °C
electronic devices: -15 °C ... +45 °C
KNX devices: +5 °C ... +25 °C

Colours

Duroplastic material:
white
aluminium
black

Glass:
black
red
blue-grey
soft white
silver (mirrored)



Frame size

- 1-gang 84 mm x 84 mm
- 2-gang 155 mm x 84 mm
- 3-gang 226 mm x 84 mm
- 4-gang 297 mm x 84 mm
- 5-gang 368 mm x 84 mm

Frames can be installed horizontally and vertically.

